

Section 8 Body and interior

Group 84 Glass and mirrors

Component	Power (W)	Resistance(Ω)
Heated rear window, 745/945/965	150	
744	185	
944/964	200	0.72 ± 0.07
Heated door mirrors	21	

Group 87 Air conditioning (A/C)

Refrigerant

type	R 12 , – 1992; R 134 a , 1993 –
quantity,	
1991, B 204 FT	g 1000
B 6304 F	g 1250
others	g 1100
1992, Diesel, B 204/234	g 1050
others	g 950
1993, 4 cylinders	g 950
6 cylinders	g 900

Compressor, make	Zexel (Diesel-Kiki)	Sanden	Sanden	Seiko-Seiki
designation	DKS 15BH	SD 510	SD 709, SD 7H15	SS 121 DS5
no. of cylinders	6	5	7	-
cylinder volume	cm ³ 152.6	161.0	154.9	-
max. speed	r/s (rpm) 115 (7000)	100 (6000)	100 (6000)	130 (7800)
safety valve actuated at				
type R 12	bar 32 ± 3	32 ± 3	32 ± 3	
type R 134 a	bar		38 ± 3	37 ± 3.7
Lubricating oil , R 12	Volvo P/N 11 60 048-3	11 60 048-3	11 60 048-3	
R 134 a .Volvo P/N			11 61 425-0	11 61 426-0
lubricant volume	ml 200	135	240	220

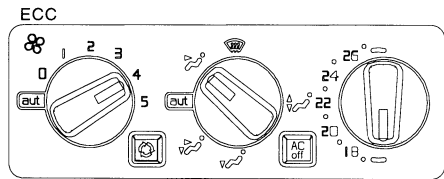
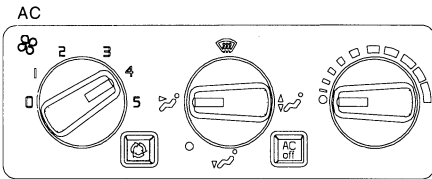
	Cut-in		Cut-out	
	R 12	Rr 134 a	R 12	R 134 a
Low-pressure switch (Pressostat).....bar	3.2 ± 0.15	3.1 ± 0.15	1.8 ± 0.1	1.6 ± 0.1
Pressure monitors				
high-pressure switch-offbar	20 ± 3	20 ± 3	28 ± 1.5	30 ± 1.5
Radiator fan, low speedbar	15 ± 1	18 ± 1	11 ± 1	14 ± 1
Radiator fan, high speedbar	20 ± 1.5	23 ± 1	16 ± 1	19 ± 1

Performance test

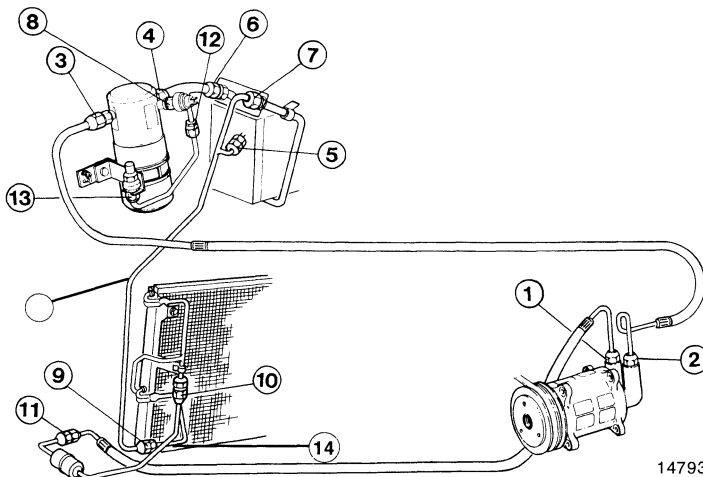
Conditions

Bonnet (hood), doors and windowsshut
 A/C and recirculationactivated
 Engine speed2000 rpm

Control settings



Recorded operating conditions			
Ambient temp. measured in front of car	20°C (68°F)	30°C (86°F)	40°C (104°F)
Temperature of expelled air measured at centre panel vents.	5 - 8°C (41 - 46°F)	5 - 8°C (41 - 46°F)	8 - 12°C (46 - 54°F)



147934

Tightening torques

	Nm	ft. lb
1. From compressor, Zexel.....	30	20
Sanden, Seiko-Seiki.....	25	18
2. To compressor.....	40	29
3. From receiver/dryer	45	33
4. To receiver/dryer.....	45	33
5. Pressure monitor (high-pressure switch-off -91).....	12	7.5
6. To evaporator	30	20
7. From evaporator	12	9
8. Low-pressure switch (Pressostat)	3.5	2.5
9. From condenser, -91	20	15
92-.....	10	7.5
10. To condenser, -91	25	18
92-.....	15	11
11. Connection to silencer - compressor.....	18	13.5
12. ETF/SAE-valve	16	12
13. ETF/SAE-valve	16	12
14. Pressure monitors	3.5	2.5
15. Union	12	9